

# NELSON™ HEAT TRACING SYSTEMS

## TH7325-2 THERMOSTAT

SPECIFICATION / APPLICATION  
INSTALLATION

### DESCRIPTION



These thermostats are used for controlling heat tracing systems in hazardous locations. The capillary bulb should be mounted on the side of the pipe.

### ENCLOSURE

Cast Aluminum

### CLASSIFICATIONS

NEMA Type 4, 7, 9 IP66

### TEMPERATURE RANGE

Range  
-4 to 163°C (25 to 325°F)

### CAPILLARY

<b>Length</b>	<b>Material</b>	<b>Max. Bulb Temperature</b>
3m (10ft.)	Stainless Steel	215°C (420°F)

### ELECTRICAL DATA

<b>CSA Rating</b>	<b>UL Rating</b>
22 amp resistance 208/240VAC	22 amp resistance 208/240VAC

### RELAY COIL

208-240VAC, 4VA

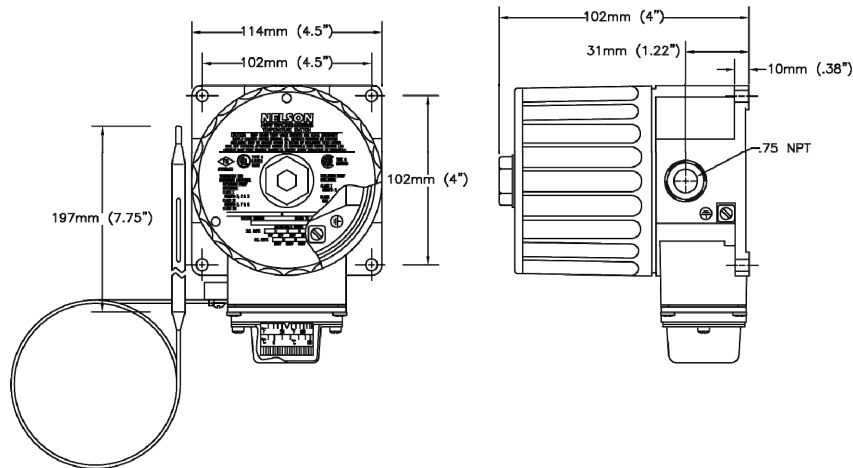
### CALIBRATION ACCURACY

1.6°C (3°F)

### SWITCH TYPE

Double Pole Single Throw

### OUTLINE



### Annual Maintenance:

1. Remove cover.
2. Spray a coat of lubricant and rust preventative such as CRC Stor & Lube, electrical grade, on the thermostat body.
3. Replace cover.

### Approvals:

#### Hazardous Locations

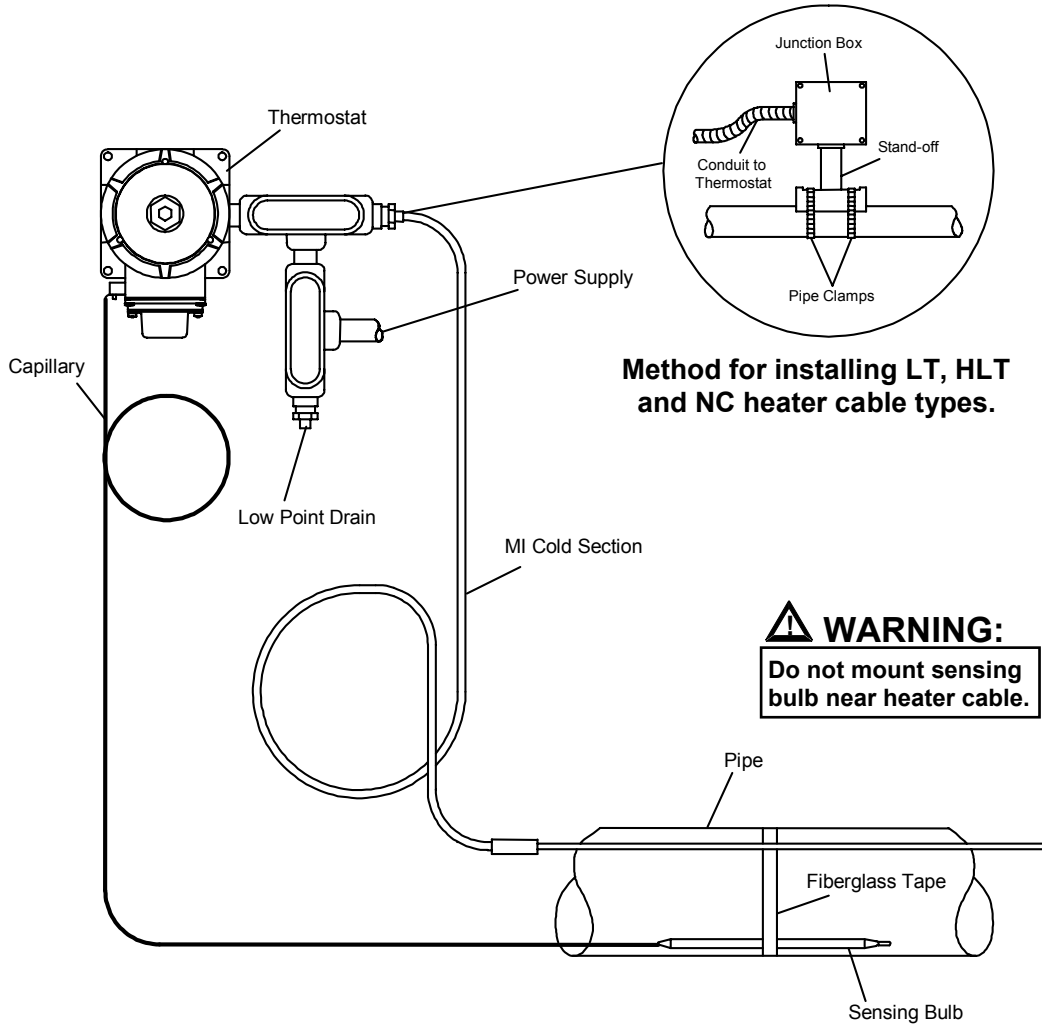
- |      |   |               |
|------|---|---------------|
| UL   | - Class I & II, Groups B, C, D, E, F, G     | - E53121      |
| FM   | - Class I & II, Groups B, C, D, E, F, G     | - 1ZIA0.AE    |
|      | - Class I, Zone 1, AEx d IIB+H <sub>2</sub> |               |
| CSA  | - Class I & II, Groups B, C, D, E, F, G     | - LR701950    |
|      | - CIII, Encl. Type 4                        |               |
|      | - Class I, Zone 1, Ex d IIB+ H <sub>2</sub> |               |
| LCIE | -  II 2 G EEx d IIC T6                      | - 2 ATEX 6026 |

# NELSON™ HEAT TRACING SYSTEMS

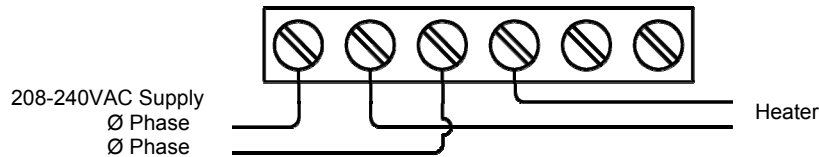
## TH7325-2 THERMOSTAT

SPECIFICATION / APPLICATION  
INSTALLATION

### INSTALLATION



### WIRING DIAGRAM



Nelson Heat Tracing Systems products are supplied with a limited warranty. Complete Terms and Conditions may be found on Nelson's website at [www.nelsonheaters.com](http://www.nelsonheaters.com).