

## Appleton™ Areamaster™/Baymaster™ LED Cover Replacement for High Lumen and GEN 2 Instructions

FOR PROPER AND SAFE INSTALLATION OF THIS PRODUCT, PLEASE READ THE FOLLOWING INSTRUCTIONS.

### Product Safety

#### Signal Words Defined

**DANGER** indicates a hazardous situation which, if not avoided, will result in death or serious injury. **WARNING** indicates a hazardous situation which, if not avoided, could result in death or serious injury. **CAUTION** indicates a hazardous situation which, if not avoided, could result in minor or moderate injury. **NOTICE** is used to address practices not related to physical injury.

#### Safety Instructions

##### ▲ WARNING:

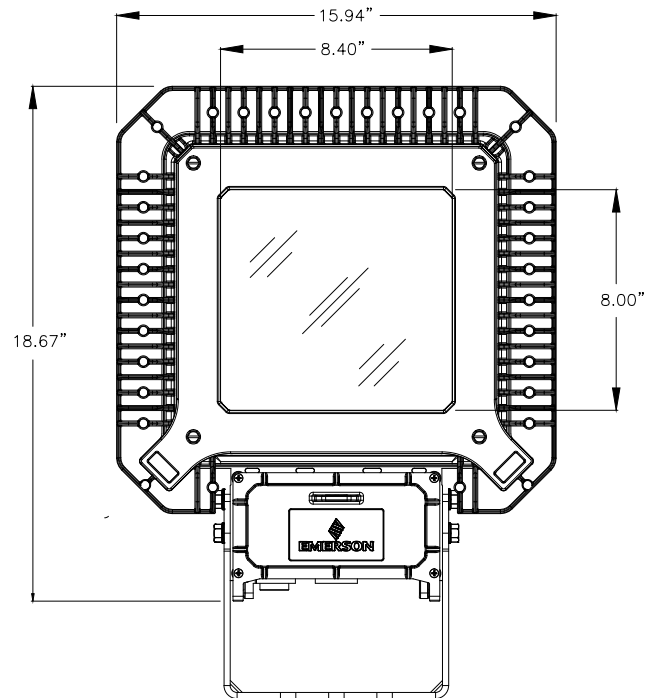
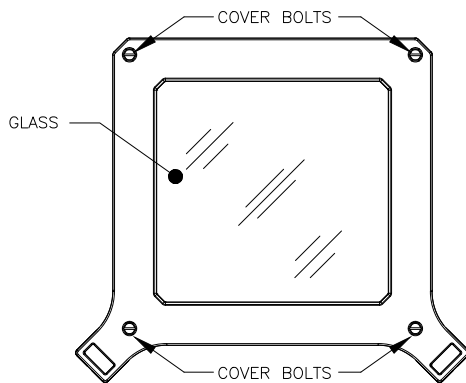
- Do not open or remove luminaire with the circuit energized.

#### What's Included

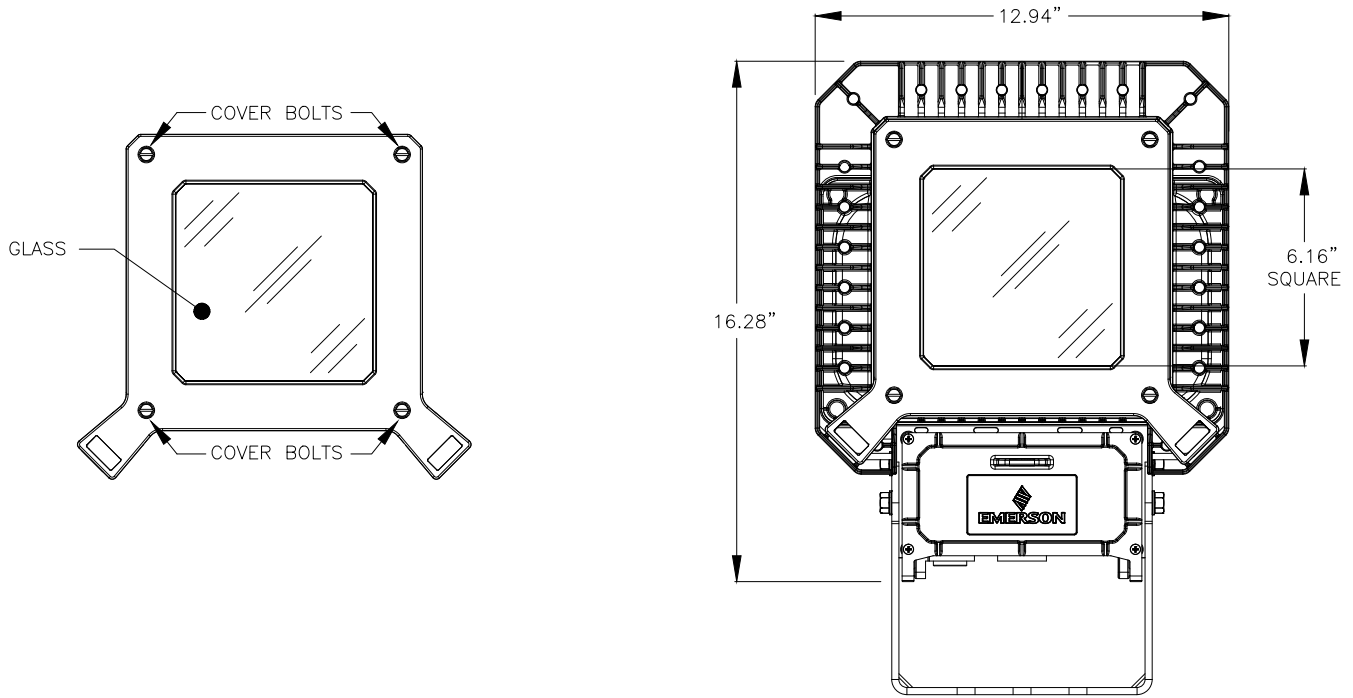
- Cover assembly with glass and four (4) cover bolts
- Instruction sheet

#### Removing and Reinstalling the LED Cover

1. Loosen the four (4) cover bolts that hold the cover to the luminaire.
2. A 5" screwdriver can be used to pry the wiring compartment cover open (if required). Please see the diagram on the next page.
3. Remove the old cover.
4. Install the new replacement cover and torque the cover bolts to 37 in.-lbs.



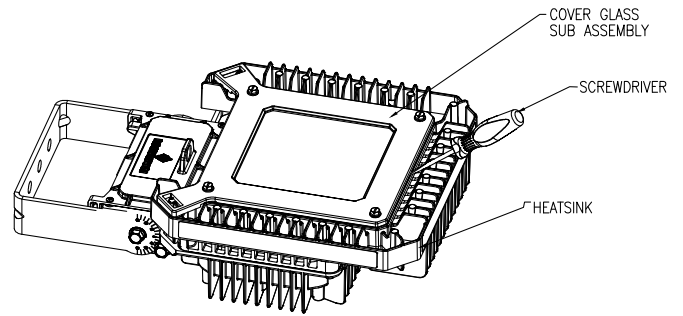
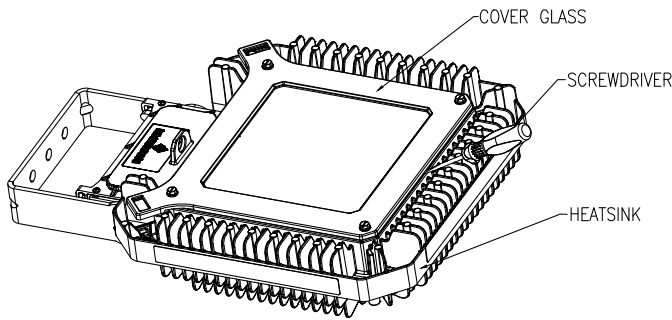
#### APPLETON AREAMASTER/BAYMASTER HIGH LUMEN LED COVER AND LUMINAIRE WITH COVER INSTALLED



**APPLETON AREAMASTER/BAYMASTER GEN 2 LED COVER AND LUMINAIRE WITH COVER INSTALLED**

APPLETON AREAMASTER/BAYMASTER HIGH LUMEN

APPLETON AREAMASTER/BAYMASTER GEN 2.0



**A 5" SCREWDRIVER CAN BE USED TO PRY THE WIRING COMPARTMENT COVER OPEN (IF REQUIRED)**

Except as expressly provided by Appleton Grp, LLC (Appleton), Appleton products are intended for ultimate purchase by industrial users and for operation by persons trained and experienced in the use and maintenance of this equipment and not for consumers or consumer use. Appleton warranties DO NOT extend to, and no reseller is authorized to extend Appleton's warranties to any consumer.

While every precaution has been taken to ensure accuracy and completeness in this manual, Appleton Grp, LLC, assumes no responsibility, and disclaims all liability for damages resulting from use of this information or for any errors or omissions. Specifications are subject to change without notice. The Appleton and Emerson logos are registered in the U.S. Patent and Trademark Office. All other product or service names are the property of their registered owners.

©2022 Appleton Grp, LLC. All rights reserved.