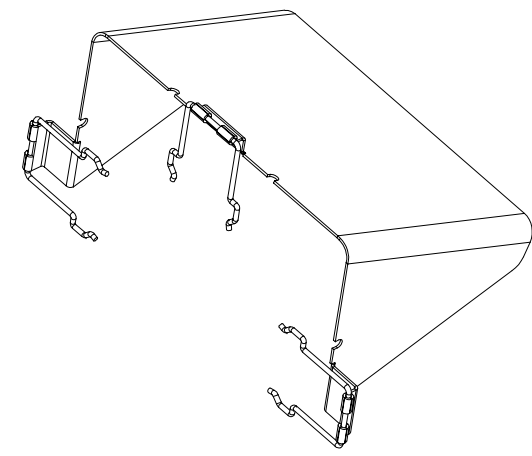
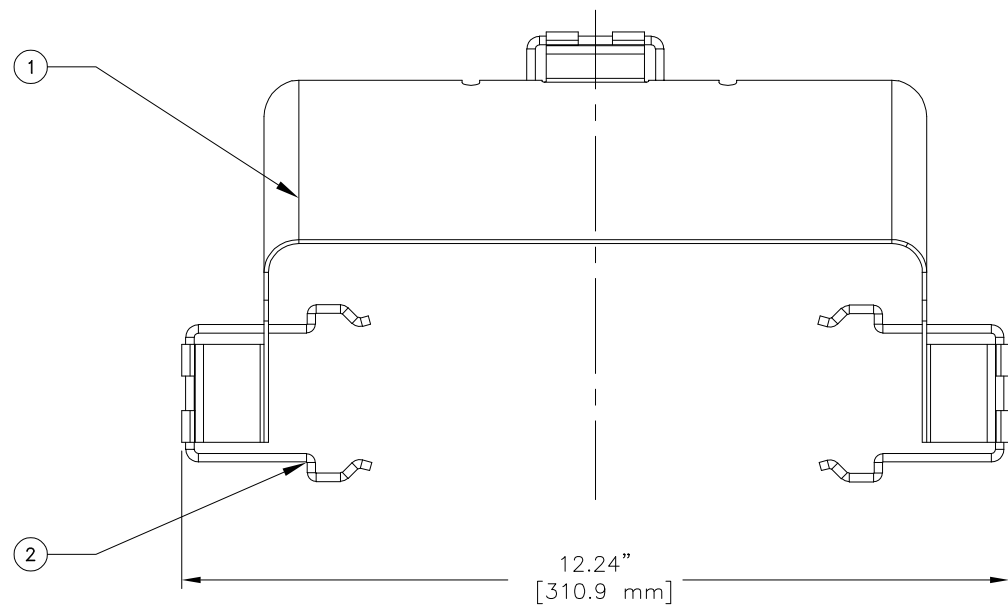


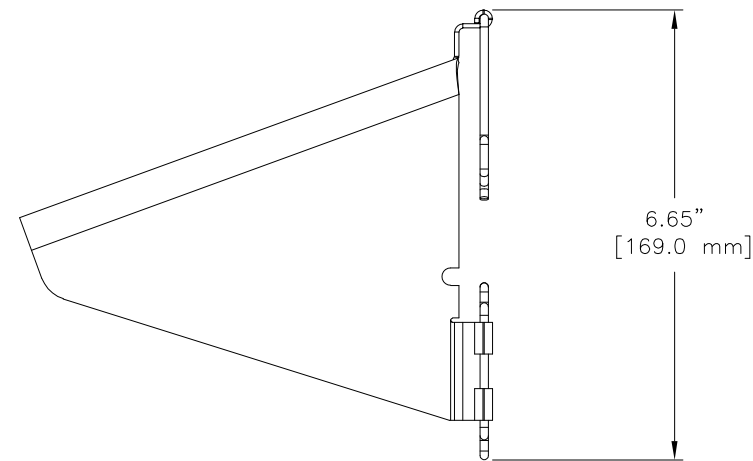
TOP VIEW



3D VIEW



FRONT VIEW



SIDE VIEW

NO.	DESCRIPTION	MATERIAL
1	VISOR	ALUMINUM
2	WIRE LINKS	STAINLESS STEEL

CATALOG NO: AMLHV
CUSTOMER:
P.O. NO:
ITEM NO:
QUANTITY:

UNLESS OTHERWISE SPECIFIED
 DIMENSIONS ARE IN INCHES
 DIMENSIONAL TOLERANCES:
 2 PL DECIMALS ±.015
 3 PL DECIMALS ±.005
 ANGLE ±1/2°

Ex DIMENSION
CTO
REVISION

				SHEET 1 OF 1			
00	31/OCT/23	NEW DRAWING GENERATED		-	-	-	-
REV.	DATE	MODIFICATION		ECR NO.	DRAWN	CHECKED	REQUESTED
TITLE: VISOR ASSEMBLY AREAMASTER LED HIGH LUMEN CATALOG NO. : AMLHV							
MATERIAL: SEE TABLE		FINISH: -		DATE: 31/OCT/23		This document is the sole property of Appleton Grp LLC and cannot be used, reproduced, transmitted and/or disclosed to any person or companies without its prior permission.	
WEIGHT: 0.4lbs	VOLUME: -in ³	DRAWN BY: SUB	CHECKED BY: BEM	APPROVED BY: JJV			
ATEX PART: -	CERT.FOLDER NO. -	SIZE C	SCALE -	REFERENCE: -	CD000184		00

APPLETON-EMERSON-APPLETON