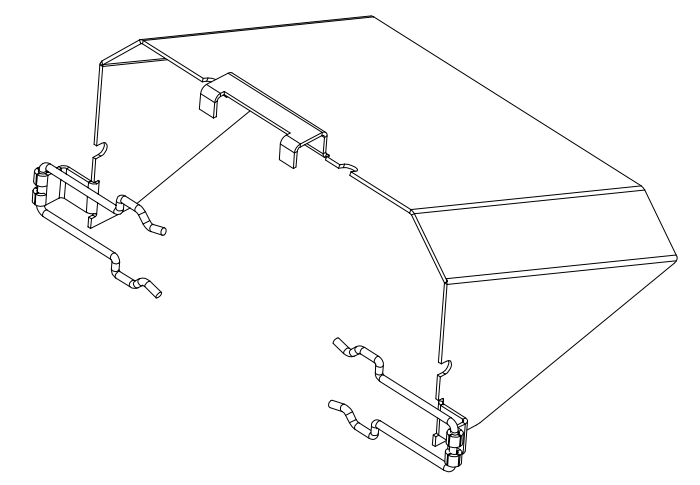
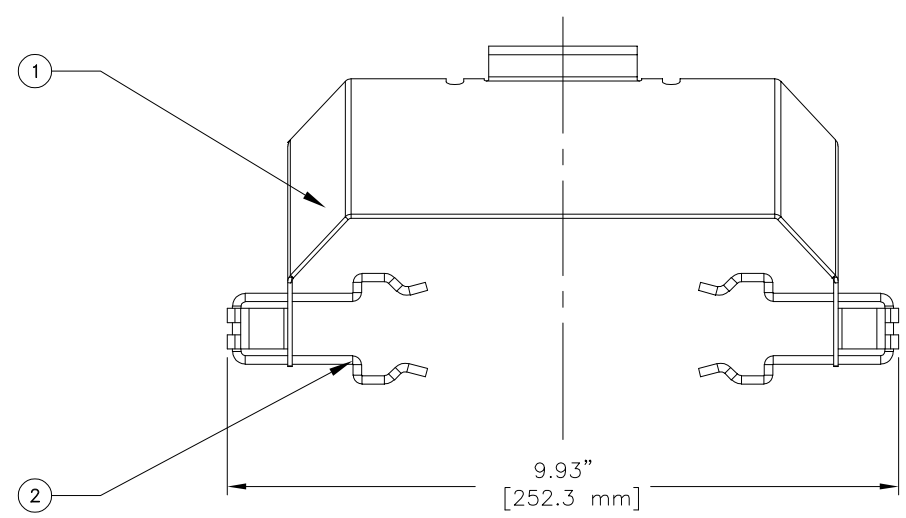


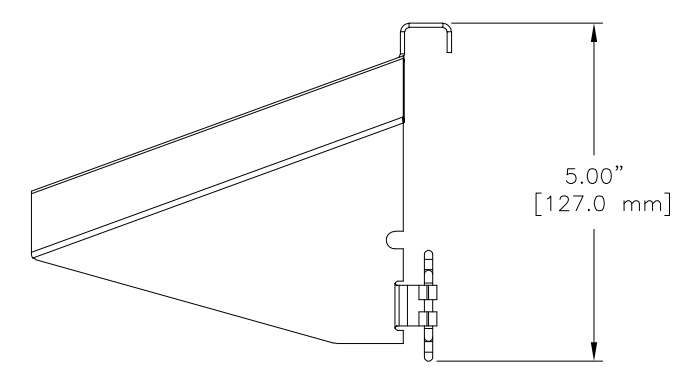
TOP VIEW



3D VIEW



FRONT VIEW



SIDE VIEW

NO.	DESCRIPTION	MATERIAL
1	VISOR	ALUMINUM
2	WIRE LINKS	STAINLESS STEEL

CATALOG NO: AMLGV
CUSTOMER:
P.O. NO:
ITEM NO:
QUANTITY:

UNLESS OTHERWISE SPECIFIED DIMENSIONS ARE IN INCHES DIMENSIONAL TOLERANCES: 2 PL DECIMALS ±.015 3 PL DECIMALS ±.005 ANGLE ±1/2°	Ex DIMENSION
CTO	REVISION

				SHEET 1 OF 1			
00	31/OCT/23	NEW DRAWING GENERATED		-	-	-	-
REV.	DATE	MODIFICATION		ECR NO.	DRAWN	CHECKED	REQUESTED
TITLE: VISOR ASSEMBLY AREAMASTER LED GEN2 CATALOG NO.: AMLGV							
MATERIAL: SEE TABLE		FINISH: -		DATE: 31/OCT/23		This document is the sole property of Appleton Grp LLC and cannot be used, reproduced, transmitted and/or disclosed to any person or companies without its prior permission.	
WEIGHT: 0.4lbs	VOLUME: -in ³	DRAWN BY: SUB	CHECKED BY: BEM	APPROVED BY: JJV	REFERENCE: -		CD000183
ATEX PART: -		CERT.FOLDER NO. -	SIZE C	SCALE -	-		00

APPLETON-EMERSON-AM-11-23-00