

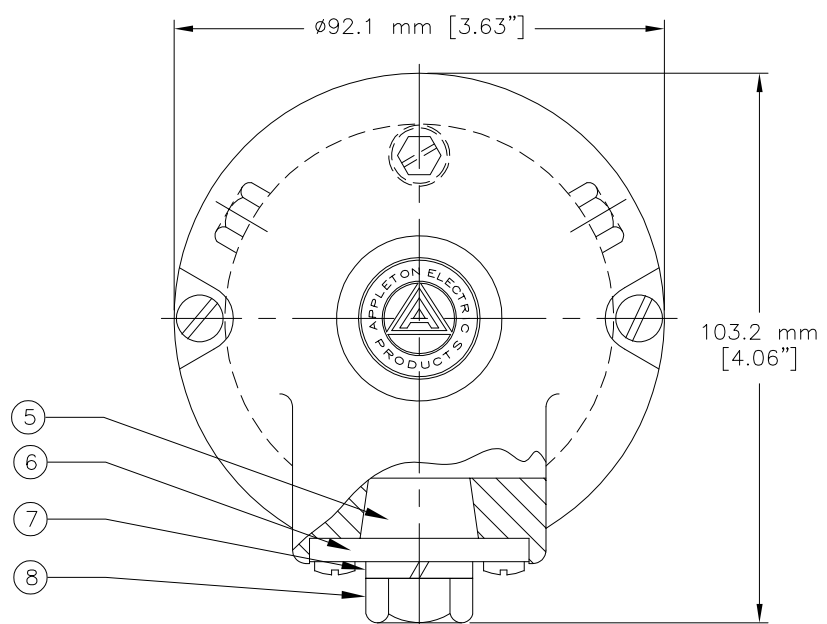
4

3

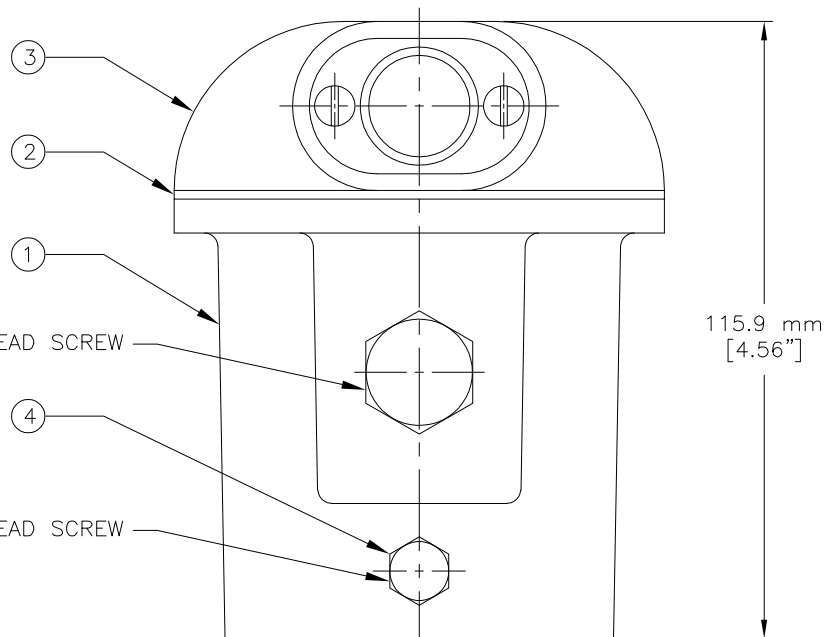


2

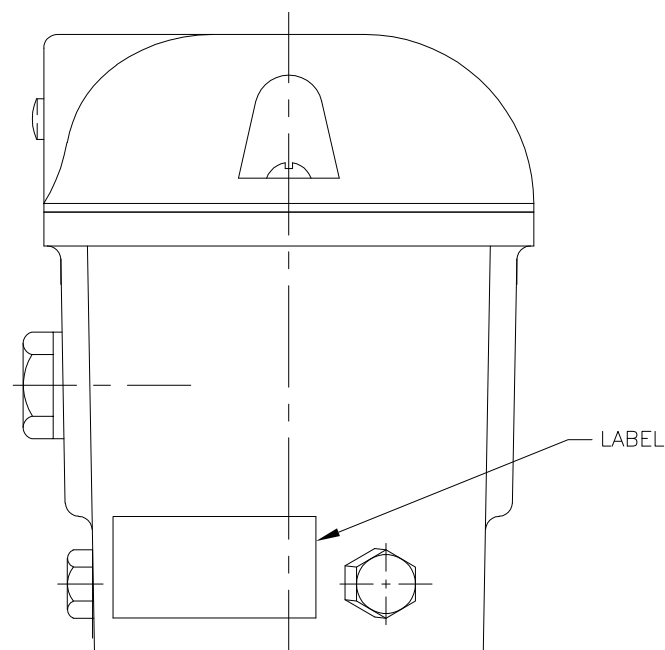
1



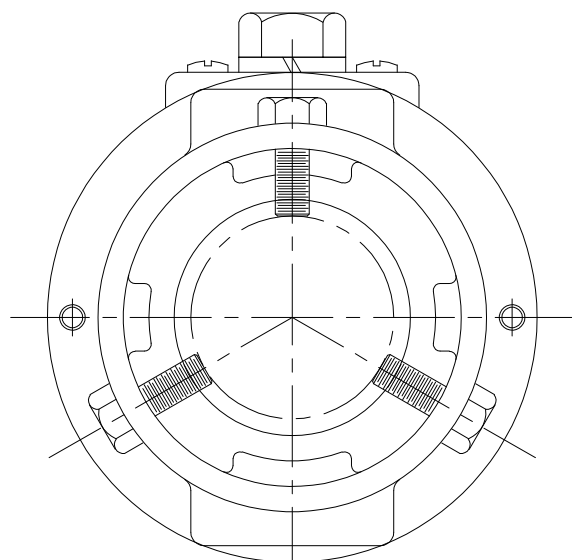
TOP VIEW



FRONT VIEW



SIDE VIEW



BOTTOM VIEW

NO.	PARTS	MATERIAL
1	1 1/2-2" POLE SLIP-FITTER	MALLEABLE IRON
2	GASKET	RUBBER
3	CAP	ALUMINUM
4	SLIP-FITTER MTG. BOLTS	STEEL
5	BUSHING	RUBBER
6	BUSHING CLAMP	ALUMINUM
7	SPRING LOCK WASHER	STEEL
8	MTG. BOLT	STEEL

1/2-13 X 3/4" HEX HEAD SCREW

(3) 1/4-20 X 1" SLOTTED HEX HEAD SCREW

LABEL

CATALOG NO: GSF-20
CUSTOMER:
P.O. NO:
ITEM NO:
QUANTITY:

SHEET 1 OF 1						
00	17/OCT/22	NEW DRAWING GENERATED	-	BEM	JSP	JJV
REV.	DATE	MODIFICATION	ECR NO.	DRAWN	CHECKED	REQUESTED
TITLE: POLE-TOP SLIP FITTER CATALOG NO: GSF-20						
MATERIAL: SEE TABLE		FINISH: -	DATE: 17/OCT/22			
WEIGHT: -lbs	VOLUME: -in ³	DRAWN BY: BEM	CHECKED BY: JSP	APPROVED BY: JJV		
ATEX PART: -		CERT.FOLDER NO. -	SIZE C	SCALE -	REFERENCE: -	
				CD000089	00	

UNLESS OTHERWISE SPECIFIED
DIMENSIONS ARE IN INCHES
DIMENSIONAL TOLERANCES:
2 PL DECIMALS ±.015
3 PL DECIMALS ±.005
ANGLE ±1/2°

Ex DIMENSION
CTO
REVISION

This document is the sole property of
Appleton Grp LLC and cannot be used,
reproduced, transmitted and/or
disclosed to any person or companies
without its prior permission.

APPLETON-EMERSON-17-10-22-00