

4

3

2

1



D

D

C

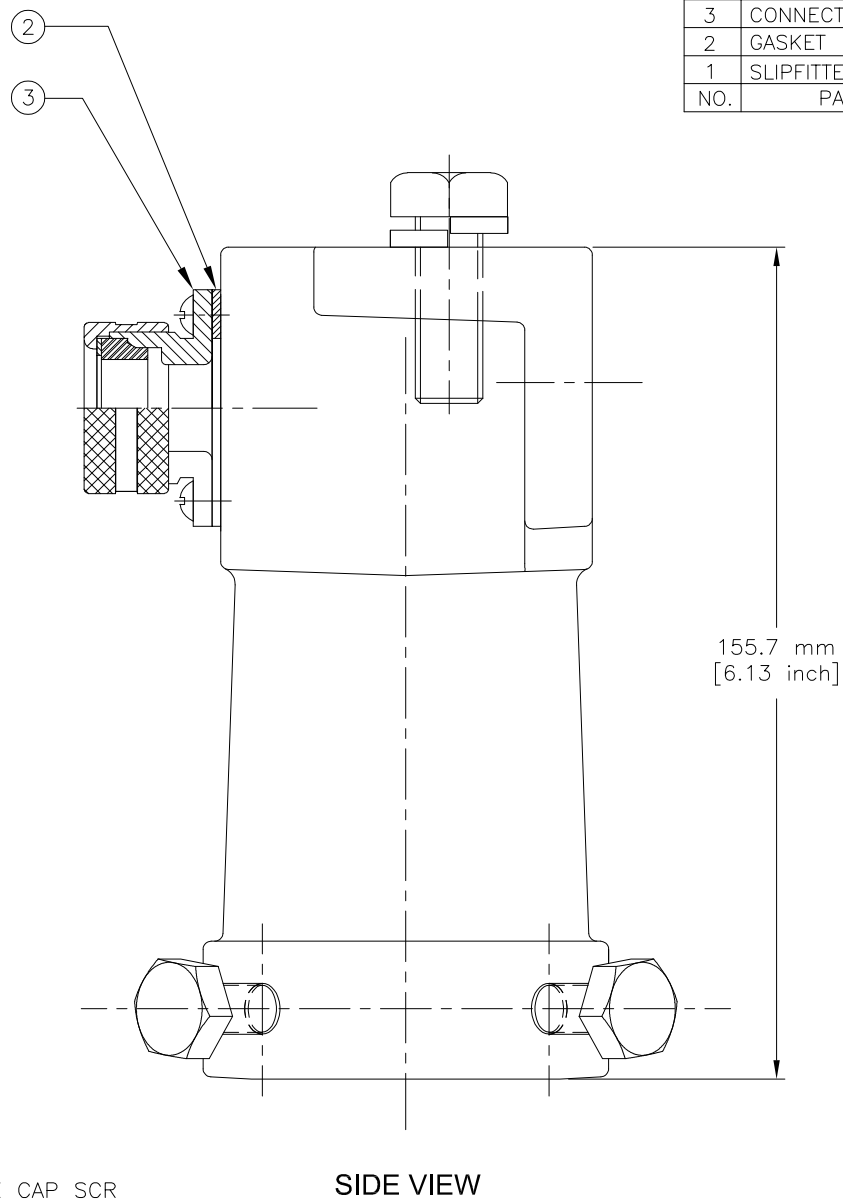
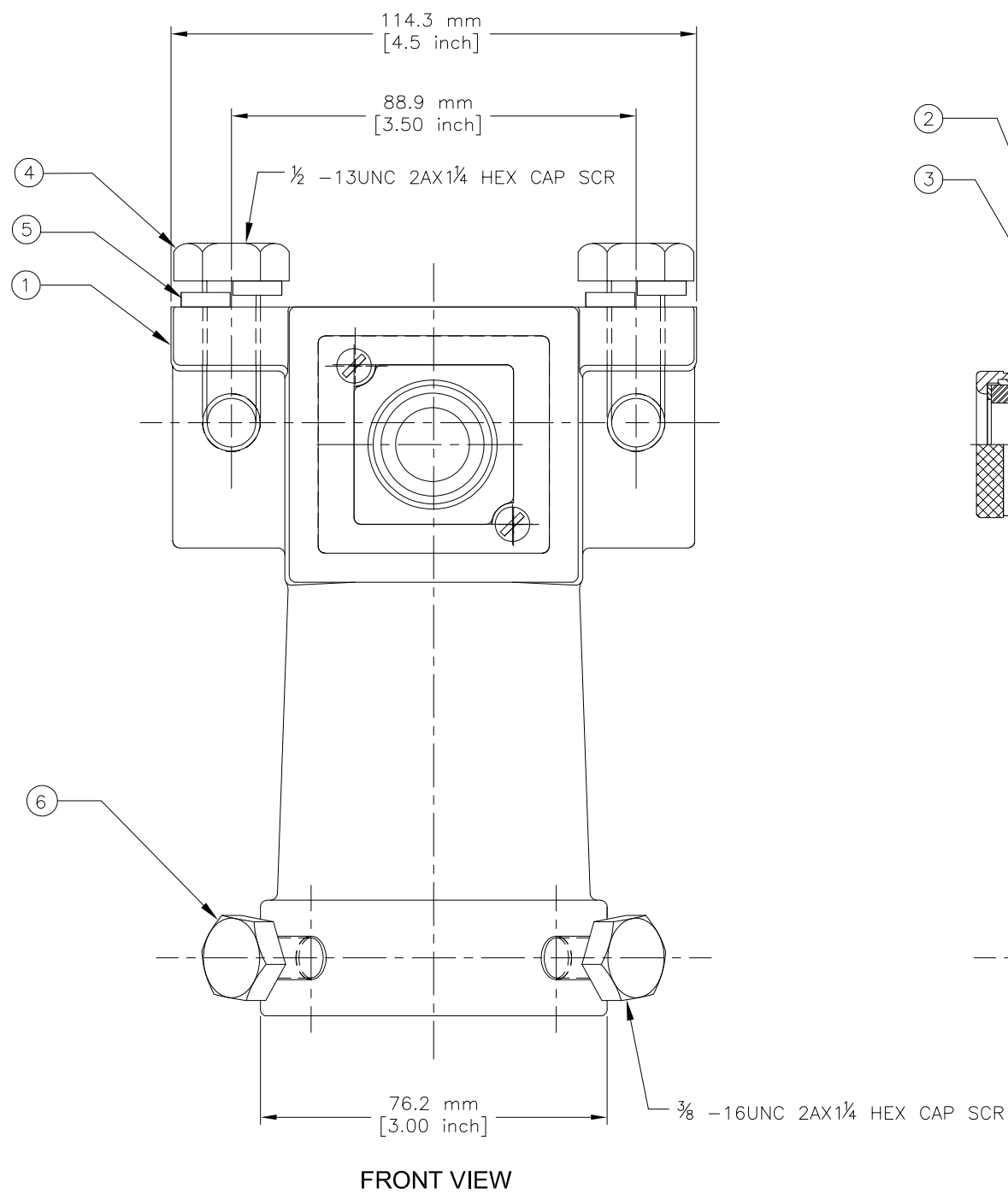
C

B

B

A

A



NO.	PARTS	MATERIAL	REMARKS
6	SLIPFITTER MTG BOLTS	STAINLESS STEEL	P05672-000
5	LOCK WASHER	STAINLESS STEEL	W05077-000
4	FIXTURE MTG BOLT	STAINLESS STEEL	P03802-000
3	CONNECTOR CAP	ALUMINUM	600610-003
2	GASKET	RUBBER	600608-000
1	SLIPFITTER	DUCTILE IRON	607650-002

CATALOG NO: AMLEDSF1
CUSTOMER:
P.O. NO:
ITEM NO:
QUANTITY:

UNLESS OTHERWISE SPECIFIED
 DIMENSIONS ARE IN INCHES
 DIMENSIONAL TOLERANCES:
 2 PL DECIMALS ±.015
 3 PL DECIMALS ±.005
 ANGLE ±1/2°

Ex DIMENSION
CTO
REVISION

SHEET 1 OF 1			
00	07/SEP/21	NEW DRAWING GENERATED	PGP BEM JJV
REV.	DATE	MODIFICATION	ECR NO. DRAWN CHECKED REQUESTED
TITLE:		POLE-TOP SLIPFITTER CATALOG NO: AMLEDSF1	
MATERIAL: SEE TABLE		FINISH: -	DATE: 07/SEP/21
WEIGHT: -lbs	VOLUME: -in ³	DRAWN BY: PGP	CHECKED BY: BEM
ATEX PART: -		CERT.FOLDER NO. -	APPROVED BY: JJV
SIZE C		SCALE -	REFERENCE: -
E702717			00



This document is the sole property of
 Appleton Grp LLC and cannot be used,
 reproduced, transmitted and/or
 disclosed to any person or companies
 without its prior permission.

4

3

2

1

