

AREAMASTER™ GENERATION 2 AND HIGH LUMEN LED SERIES LUMINAIRES FLOODLIGHT — HAZARDOUS LOCATION

FEATURES

- Six lumen outputs provide up to 38,000 lumens
- Choice of optics for optimal light distribution in a variety of applications.
- Separate field wiring compartment with screw terminal block for easy and secure connection can accept 0.14 - 6 mm² (26 - 10 AWG) wire.
- Wiring compartment has two 3/4" NPT entries in bottom and one 3/4" NPT entry on top. Optional M20 metric adapter available.
- High Bay mounting achieved by using 3/4" NPT threaded non-penetrating blind hold centered in top of luminaire with integral set screw. Wire via wiring compartment.
- Yoke bracket is designed to accommodate traditional Areamaster brackets and slipfitters for easy retrofit. Optional stainless steel yoke bracket is available.
- Choice of color temperature (CCT): 5000K (70 CRI) cool white, 4000K (80 CRI) neutral white, 3000K (80 CRI) warm white, 1800K (70 CRI), or Amber (56 CRI).
- 0-10 Vdc Dimming standard for all BU voltage configurations. See catalog page for dimming and Group Lighting Controls details.
- Rugged and compact housing with superior thermal design translates to long luminaire life.
- Heavy duty, high temperature silicone rubber gaskets.
- Thermal shock and impact resistant clear or frosted glass lens.
- Standard 6 kV/3 kA surge protection. Optional 10 kV/5 kA additional surge protection available.
- Captive fasteners secure one piece lens.
- Field replaceable LED driver and lens cover.
- Photometric data and electronic drawings available upon request.

WARRANTY

- 10 year standard warranty

TYPICAL APPLICATIONS

- Enclosed and gasketed fixtures suitable for use in a wide range of industrial, chemical processing and other areas

where flammable gases and vapors are present, for example:

- Oil and Gas Refineries
- Petrochemical Plants
- Foundries
- Drilling Rigs
- Pulp and Paper Mills
- Food and Beverage Processing Facilities
- Loading Docks
- Power Plants
- Water and Wastewater Treatment Facilities
- Hydrogen and Biofuels plants
- LNG (Liquid Natural Gas) plants
- Other areas where corrosive, wet, dirty and tough environments are a problem
- IP66/IP67, Type 4X, marine and wet locations. IP66 for IECEx/ATEX
- Locations requiring dependable, consistent lighting in extreme hot/cold temperature environments.
 - -40 °C to +65 °C (-40 °F to +149 °F) ambient temperature range.
 - -40 °C to +55 °C (-40 °F to +131 °F) for high lumen AMLHL3 output.
 - -55 °C (-67 °F) Cold Start option available for BU voltages only. See Catalog Numbering Guide for more details
- Globally rated luminaires with all applicable certification labels for NEC/CEC and ATEX/IECEx environments. See catalog page for details.

LUMINAIRE MATERIALS

- Housing and lens cover: copperfree (4/10 of 1% max.) aluminum
- Gaskets: silicone rubber
- Yoke: zinc plated steel
- Bolts, guard and safety cable: stainless steel
- Close up plugs: (2) aluminum provided
- Visor: aluminum
- Housing, lens cover, visor and yoke mount: architectural bronze polyester



AMLG + Clear Lens



AMLH + Frosted Lens

ACCESSORIES (PURCHASE SEPARATELY)

- Wall Mount Bracket: GPSWB6GAL
- Wire Guard — Low Lumen: LGGUARD
- Wire Guard — High Lumen: LHGUARD
- Safety cable: LEDSC
- Visor — Low Lumen: AMLGV
- Visor — High Lumen: AMLHV
- Portable Floodlight Base: GAMPFB

NEC/CEC LISTINGS

- Class I, Division 2, Groups A, B, C, D | Class II, Division 1, Groups E, F, G | Class II, Division 2, Groups F, G | Class III | Zone 20, 21 and 22 | Class I, Zone 2 AEx/Ex ec IIC Gc | Zone 21, AEx/Ex tb IIC Db | Type 3R, 4 and 4X | IP66/67 | Simultaneous Exposure | Marine Outside Type (Salt Water) for USA Only | Wet Locations

IECEx / ATEX LISTINGS

- Zones 2 – 21 and 22

NOTABLE LISTINGS

- CE
- UKCA
- UKEX
- ABS Certified
- DLC Listed
- 10G Vibration

RELATED PRODUCTS

- See catalog page for details

① Refer to catalog pages for detailed certification information.

⚙ For warranty details go to www.appleton.emerson.com.

PRODUCT SPECIFICATIONS

Series Lumen Output	AMLGL6	AMLGL7	AMLGL8	AMLHL1	AMLHL2	AMLHL3
Nominal Wattage (W, @120 V)	73	111	154	180	231	317
Equivalencies (W, HID)	175-250	250-400	400-750	1000	1000-1500	1500
Nominal Lumens ①	9,500	15,000	19,500	24,000	30,000	38,000
Efficacy (up to, lm/W) ①	141	135	128	136	134	126
Color Temperature (CCT) (K)	5000/4000/3000/1800K/Amber					
Color Rendering index (CRI)	≥ 70 CRI (5000K/1800K) ≥ 80 CRI (4000K / 3000K) ≥ 56 CRI (Amber)					
Voltage	120 – 277 Vac, 50/60 Hz; 125 – 300 Vdc 347 – 480 Vac, 50/60 Hz					
Surge Protection	Standard: 6 kV/3 kA Optional: 10 kV/5 kA					
L70 Lifetime (hrs)	+25 °C (+77 °F) Ambient Temperature: Reported > 60,000 hours Calculated > 200,000 hours +65 °C (+149 °F) Ambient Temperature: Reported > 60,000 hours Calculated > 135,000 hours					
Ambient Temperature ②	-40 °C to +65 °C (-40 °F to +149 °F)					-40 °C to +55 °C (-40 °F to +131 °F)
Temperature Code ②	T3 - T6					
Fixture Weight - kg (lbs)	9.8 kg (21.6 lbs)			16.1 kg (35.4 lbs)		
Replaceable Parts	Drivers, Lens, Yoke Mount Bracket					

① Nominal lumens based on NEMA 7x7 (Non-optic), 5000K CCT with clear glass lens. Refer to catalog pages for detailed performance.

② Refer to catalog pages for detailed temperature tables/operating temperature based on lumen output/certification.

APPLETON™

For product information:
www.masteringled.com
1.800.621.1506



EMERSON™

AREAMASTER™ GENERATION 2 AND HIGH LUMEN LED SERIES LUMINAIRE FLOODLIGHT — HAZARDOUS LOCATION

Project Information	Specifications
Part Number: _____ Date: _____	_____
Project: _____	_____
Fixture Type: _____	_____

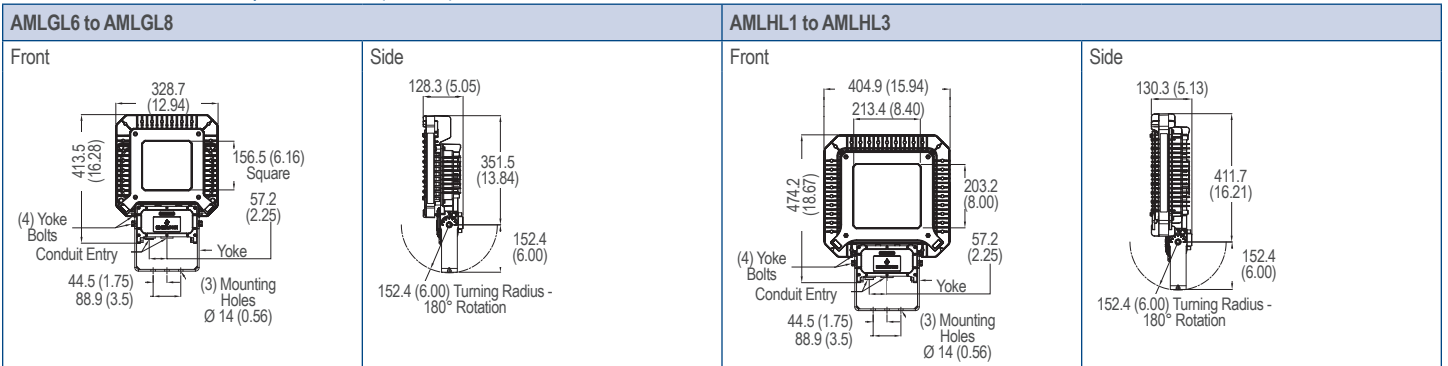
CATALOG NUMBERING GUIDE | AMLG LOW LUMEN AND AMLH HIGH LUMEN MODELS

Series Prefix	Color Temperature Lumen (nominal)	Diffusion:	Beam Spread	Voltage	Fusing Options	Metric Adapter Options Surge Option	Pre-Wired Options Cold Temperature Options
AMLG							

SERIES PREFIX: AMLG Areamaster Generation 2 LED Series - Low Lumen AMLH Areamaster Generation 2 LED Series - High Lumen AMLG LUMEN (NOMINAL): ① L6 9,500 L7 15,000 L8 19,500 AMLH LUMEN (NOMINAL): ① L1 24,000 L2 30,000 L3 38,000 COLOR TEMPERATURE (CCT): C 5000K (70 CRI) N 4000K (80 CRI) W 3000K (80 CRI) S 1800K (70 CRI) A Amber (56 CRI)	AMLG DIFFUSION: G Clear Glass F Frosted Glass D Diffused Polycarbonate ① AMLG DIFFUSION: G Clear Glass F Frosted Glass AMLG BEAM SPREAD: 6 NEMA 7x7 (non-optic) 7 NEMA 7x6 AMLH BEAM SPREAD: 3 NEMA 3x3 5 NEMA 5x5 6 NEMA 7x7 (non-optic) 7 NEMA 7x6	VOLTAGE: BU 120-277 Vac, 50/60 Hz, 125-300 Vdc BH 347-480 Vac, 50/60 Hz ③ FUSING OPTIONS: Blank No Fusing F Fusing ④ SURGE OPTIONS: Blank 6 kV Surge Protection (Standard) S 10 kV Surge Protection ⑤ METRIC ADAPTER OPTIONS: Blank No Adapter M M20 Metric Cable Entry Adapters ⑥	COLD TEMPERATURE OPTIONS: Blank Standard Temperature (-40 °C) C Cold Temperature (-55 °C) ⑦ PRE-WIRED OPTIONS: ⑧ Blank No Pre-wired options P Pre-wired (10 Foot Cord; 3 Conductors; Power without Dimming) D Pre-wired (10 Foot Cord; 5 Conductors; Power and Dimming)
---	---	---	--

- ① All lumen values are typical (tolerance +/- 10%).
- ② Diffused Polycarbonate lens available for NEC/CEC only. Diffused Polycarbonate lens not available with Cold Start option.
- ③ BH voltage available for NEC/CEC only. BH voltage not available with Cold Start option. Dimming not available with BH voltage.
- ④ Use of fuse voids Marine rating. Fusing available for NEC/CEC only. Fusing not available with Cold Start option.
- ⑤ 10 kV Surge Protection available for NEC/CEC only. 10kV Surge Protection not available with Cold Start option.
- ⑥ M20 Metric Cable Entry Adapter not available with Pre-Wired options.
- ⑦ Cold Start option available for NEC/CEC only. Cold Start option not available with Diffused Polycarbonate lens, BH voltage, Fusing or 10kV Surge Protection.
- ⑧ Pre-Wiring available for NEC/CEC only. Pre-Wiring not available with Metric Adapter option. Cord grip used with Pre-Wiring option is Type 3R rated. IP66/IP67 and Marine rating is not available with Pre-Wiring option.

DIMENSIONAL DRAWINGS ① | MILLIMETERS (INCHES)



① Refer to catalog pages or the Product Drawing configurator page for additional dimensional information; available on www.masteringled.com.