

# INDUSTRIAL AREAMASTER™ GENERATION 2 AND HIGH LUMEN LED SERIES LUMINAIRES FLOODLIGHT — ORDINARY LOCATION

## FEATURES

- Six lumen outputs provide up to 38,000 lumens
- Choice of optics for optimal light distribution in a variety of applications.
- Separate field wiring compartment with screw terminal block for easy and secure connection can accept 0.14 - 6 mm<sup>2</sup> (26 - 10 AWG) wire.
- Wiring compartment has two 3/4" NPT entries in bottom and one 3/4" NPT entry on top. Optional M20 metric adapter available.
- High Bay mounting achieved by using 3/4" NPT threaded non-penetrating blind hold centered in top of luminaire with integral set screw. Wire via wiring compartment.
- Yoke bracket is designed to accommodate traditional Areamaster brackets and slipfitters for easy retrofit. Optional stainless steel yoke bracket is available.
- Choice of color temperature (CCT): 5000K (70 CRI) cool white, 4000K (80 CRI) neutral white, 3000K (80 CRI) warm white, 1800K (70 CRI), or Amber (56 CRI).
- 0-10 Vdc Dimming standard for all configurations. See catalog page for dimming and Group Lighting Controls details.
- Rugged and compact housing with superior thermal design translates to long luminaire life.
- Heavy duty, high temperature silicone rubber gaskets.
- Thermal shock and impact resistant clear or frosted glass lens.
- Standard 6 kV/3 kA surge protection. Optional 10 kV/5 kA additional surge protection available.
- Captive fasteners secure one piece lens.
- Field replaceable LED driver and lens cover.
- Photometric data and electronic drawings available upon request.

## WARRANTY

- 10 year standard warranty

## TYPICAL APPLICATIONS

- Powerful, efficient, weatherproof lighting fixtures suitable for use in a wide range of industrial areas, for example
  - Steel Production Plants
  - Power Generation Facilities
  - Foundries
  - Cement, Stone and Sand Plants
  - Pulp and Paper Mills
  - Ship Building and Shipping Ports
  - Storage Areas
  - Security Lighting
  - Hydrogen and Biofuels plants
  - LNG (Liquid Natural Gas) plants
  - Other areas where corrosive, wet, dirty and tough environments are a problem
- IP66/IP67, Type 4X, marine and wet locations
- Locations requiring dependable, consistent lighting in extreme hot/cold temperature environments.
  - -40 °C to +65 °C (-40 °F to +149 °F) ambient temperature range
  - -40 °C to +55 °C (-40 °F to +131 °F) for high lumen IAMLHL3 output
  - -55 °C (-67 °F) Cold Start option available for BU voltages only. See Catalog Numbering Guide for more details

## LUMINAIRE MATERIALS

- Housing and lens cover: copperfree (4/10 of 1% max.) aluminum
- Gaskets: silicone rubber
- Yoke: zinc plated steel
- Bolts, guard, and safety cable: stainless steel
- Close up plugs: (2) aluminum provided
- Visor: Aluminum
- Housing, lens cover, visor and yoke mount: architectural bronze polyester



IAMLG + Clear Lens



IAMLH + Frosted Lens

## ACCESSORIES (PURCHASE SEPARATELY)

- Wall Mount Bracket: GPSWB6GAL
- Wire Guard — Low Lumen: LGGUARD
- Wire Guard — High Lumen: LHGUARD
- Safety cable: LEDSC
- Visor — Low Lumen: AMLGV
- Visor — High Lumen: AMLHV
- Portable Floodlight Base: GAMPFB

## NEC/CEC/NOM LISTINGS

- Type 3R, 4, 4X | IP66/67 | Marine outside type (salt water) for USA Only | Wet locations

## IECEE CB LISTINGS

- IK08 | IP66

## NOTABLE LISTINGS

- CE
- UKCA
- ABS Certified
- DLC Listed
- 10G Vibration – IAMLG, 5G Vibration – IAMLH

## RELATED PRODUCTS

- See catalog page for details

① Refer to catalog pages for detailed certification information.

⚙ For warranty details go to [www.appleton.emerson.com](http://www.appleton.emerson.com).

## PRODUCT SPECIFICATIONS

Series Lumen Output	IAMLGL6	IAMLGL7	IAMLGL8	IAMLHL1	IAMLHL2	IAMLHL3
Nominal Wattage (W, @120 V)	73	111	154	180	231	317
Equivalencies (W, HID)	175-250	250-400	400-750	1000	1000-1500	1500
Nominal Lumens ①	9,500	15,000	19,500	24,000	30,000	38,000
Efficacy (up to, lm/W) ①	141	135	128	136	134	126
Color Temperature (CCT) (K)	5000/4000/3000/1800K/Amber					
Color Rendering index (CRI)	≥ 70 CRI (5000K/1800K)   ≥ 80 CRI (4000K / 3000K)   ≥ 56 CRI (Amber)					
Voltage	120-277 Vac, 50/60 Hz; 125-300 Vdc   347 – 480 Vac, 50/60 Hz					
Surge Protection	Standard: 6 kV/3 kA   Optional: 10 kV/5 kA					
L70 Lifetime (hrs)	+25 °C (+77 °F) Ambient Temperature: Reported > 60,000 hours   Calculated > 200,000 hours +65 °C (+149 °F) Ambient Temperature: Reported > 60,000 hours   Calculated > 135,000 hours					
Ambient Temperature ②	-40 °C to +65 °C (-40 °F to +149 °F)					-40 °C to +55 °C (-40 °F to +131 °F)
Fixture Weight - kg (lbs)	9.8 kg (21.6 lbs)			16.1 kg (35.4 lbs)		
Replaceable Parts	Drivers, Lens, Yoke Mount Bracket					

① Nominal lumens based on NEMA 7x7 (Non-optic), 5000K CCT with clear glass lens. Refer to catalog pages for detailed performance.

② Refer to catalog pages for detailed temperature tables/operating temperature based on lumen output/certification.

**APPLETON™**

For product information:  
[www.masteringled.com](http://www.masteringled.com)  
1.800.621.1506

  
**EMERSON™**

# INDUSTRIAL AREAMASTER™ GENERATION 2 AND HIGH LUMEN LED SERIES LUMINAIRES FLOODLIGHT — ORDINARY LOCATION

Project Information	Specifications
Part Number: _____ Date: _____	
Project: _____	
Fixture Type: _____	

## CATALOG NUMBERING GUIDE | IAMLG LOW LUMEN AND IAMLH HIGH LUMEN MODELS

Series Prefix	Color Temperature		Beam Spread		Fusing Options		Metric Adapter Options		Pre-Wired Options	
	Lumen (nominal)		Diffusion:		Voltage		Surge Option		Cold Temperature Options	
IAMLG										

SERIES PREFIX:	
<b>IAMLG</b>	Industrial Areamaster Generation 2 LED Series - Low Lumen
<b>IAMLH</b>	Industrial Areamaster Generation 2 LED Series - High Lumen
IAMLG LUMEN (NOMINAL): ①	
<b>L6</b>	9,500
<b>L7</b>	15,000
<b>L8</b>	19,500
IAMLH LUMEN (NOMINAL): ①	
<b>L1</b>	24,000
<b>L2</b>	30,000
<b>L3</b>	38,000
COLOR TEMPERATURE (CCT):	
<b>C</b>	5000K (70 CRI)
<b>N</b>	4000K (80 CRI)
<b>W</b>	3000K (80 CRI)
<b>S</b>	1800K (70 CRI)
<b>A</b>	Amber (56 CRI)

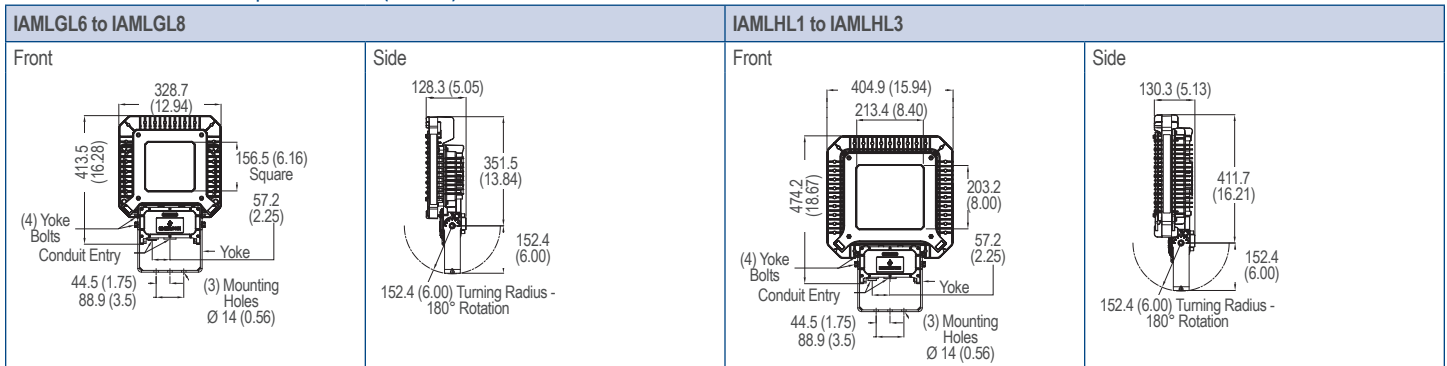
IAMLG DIFFUSION:	
<b>G</b>	Clear Glass
<b>F</b>	Frosted Glass
<b>D</b>	Diffused Polycarbonate ②
IAMLH DIFFUSION:	
<b>G</b>	Clear Glass
<b>F</b>	Frosted Glass
IAMLG BEAM SPREAD:	
<b>6</b>	NEMA 7x7 (non-optic)
<b>7</b>	NEMA 7x6
IAMLH BEAM SPREAD:	
<b>3</b>	NEMA 3x3
<b>5</b>	NEMA 5x5
<b>6</b>	NEMA 7x7 (non-optic)
<b>7</b>	NEMA 7x6

VOLTAGE:	
<b>BU</b>	120-277 Vac, 50/60 Hz, 125-300 Vdc
<b>BH</b>	347-480 Vac, 50/60 Hz ③
FUSING OPTIONS:	
<b>Blank</b>	No Fusing
<b>F</b>	Fusing ④
SURGE OPTIONS:	
<b>Blank</b>	6 kV Surge Protection (Standard)
<b>S</b>	10 kV Surge Protection ⑤
METRIC ADAPTER OPTIONS:	
<b>Blank</b>	No Adapter
<b>M</b>	M20 Metric Cable Entry Adapters ⑥

COLD TEMPERATURE OPTIONS:	
<b>Blank</b>	Standard Temperature (-40 °C)
<b>C</b>	Cold Temperature (-55 °C) ⑦
PRE-WIRED OPTIONS: ⑧	
<b>Blank</b>	No Pre-wired options
<b>P</b>	Pre-wired (10 Foot Cord; 3 Conductors; Power without Dimming)
<b>D</b>	Pre-wired (10 Foot Cord; 5 Conductors; Power and Dimming)

- ① All lumen values are typical (tolerance +/- 10%).
- ② Diffused Polycarbonate lens available for NEC/CEC only. Diffused Polycarbonate lens not available with Cold Start option.
- ③ BH voltage available for NEC/CEC only. BH voltage not available with Cold Start option.
- ④ Use of fuse voids Marine rating. Fusing available for NEC/CEC only. Fusing not available with Cold Start option.
- ⑤ 10kV Surge Protection not available with Cold Start option.
- ⑥ M20 Metric Cable Entry Adapter not available with Pre-Wired options.
- ⑦ Cold Start option available for NEC/CEC only. Cold Start option not available with Diffused Polycarbonate lens, BH voltage, Fusing or 10kV Surge Protection.
- ⑧ Pre-Wiring available for NEC/CEC only. Pre-Wiring not available with Metric Adapter option. Cord grip used with Pre-Wiring option is Type 3R rated. IP66/IP67 and Marine rating is not available with Pre-Wiring option.

## DIMENSIONAL DRAWINGS ● | MILLIMETERS (INCHES)



● Refer to catalog pages or the Product Drawing configurator page for additional dimensional information; available on [www.masteringled.com](http://www.masteringled.com).